

TERMINATIONS

BNC, UPTO 4 GHz, 100 Watts

SPECIFICATIONS:

Models: TB040M-100W, TB040F-100W

RoHS
Compliant

AEROFLEX
A passion for performance.

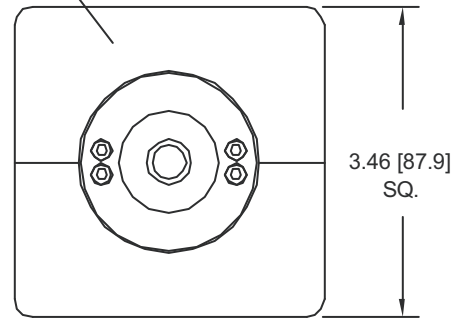
Electrical:

Frequency Range _____ DC - 4 GHz
 Standard Freq. Values _____ 4 GHz
 VSWR
 DC - 1.5 GHz _____ 1.25:1 Max.
 1.5 - 2.5 GHz _____ 1.35:1 Max.
 2.5 - 4.0 GHz _____ 1.45:1 Max.
 Input Power _____ 100 Watts Avg.
Derated Linearly to 20 Watts @ +125°C
 Peak Power _____ 1 kW Max.
(5uSec Pulse, .05% Duty Cycle)
 Impedance _____ 50 Ohms
 Operating Temp Range _____ -55°C to +125°C

Mechanical:

BNC Connectors _____ Nickel Plated Brass
Mates with MILSTD-348
 Conductors _____ Gold Plated Beryllium Copper
 Housing _____ Anodized Aluminum

Custom Mtg. hole Config.
may be Added to this
Surface.



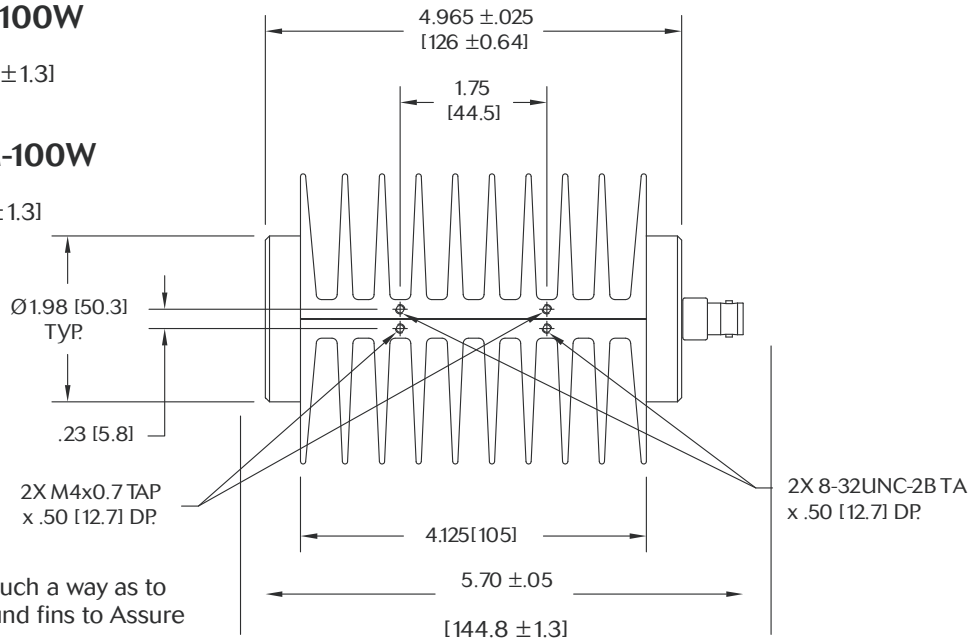
END VIEW
TYPICAL

Model Number: TB040F-100W

BNC Female Connector
 Length: 5.70 ±.05 [144.8 ±1.3]
 Pictured

Model Number: TB040M-100W

BNC Male Connector
 Length: 5.81 ±.05 [147.6 ±1.3]



Units must be Mounted in such a way as to
 Allow for Free Air Flow Around fins to Assure
 Performance

HOW TO ORDER:

Model Number: **TB040Y-100W**

Freq. Range | Connector Configuration
 040 = DC - 4.0 GHz | F = Female
 | M = Male

Ordering Examples:

Model Number: **TB040F-100W**
 DC - 4.0 GHz, BNC Female CONN.

Note: Dimensions in Brackets are Expressed in Millimeters and are for Reference Only.
 Design specifications are subject to change without notice.
 Contact factory for technical specifications before purchasing or use.

TBXXXY-100W: REV E (M)

AEROFLEX
INMET

Aeroflex / Inmet, Inc. • 300 Dino Drive, Ann Arbor, MI 48103 • U.S.A.
 888-244-6638 or 734-426-5553 • FAX: 734-426-5557
 www.aeroflex-inmet.com • inmet-sales@eroflex.com