

TERMINATIONS

Type N, up to 4.0 GHz, 300 Watts

SPECIFICATIONS:

Models: TNXXXM-300W, TNXXXF-300W

RoHS
Compliant

Electrical:	
Frequency Range	DC - 4.0 GHz
Standard Freq. Values	2.5 & 4 GHz
VSWR	
DC - 1.5 GHz	1.15:1 Max.
1.5 - 2.5 GHz	1.25:1 Max.
2.5 - 4.0 GHz	1.35:1 Max.
Input Power	300 Watts Avg. @ +25°C
	Derated Linearly to 60 Watts @ +125°C
Peak Power	2 kW Max.
	(5uSec Pulse, .05% Duty Cycle)
Impedance	50 Ohms
Operating Temp Range	-55°C to +125°C
Mechanical:	
Type N Connectors	Passivated Stainless Steel
	Mates with MIL-STD-348
Conductors	Gold Plated Beryllium Copper
Housing	Anodized Aluminum



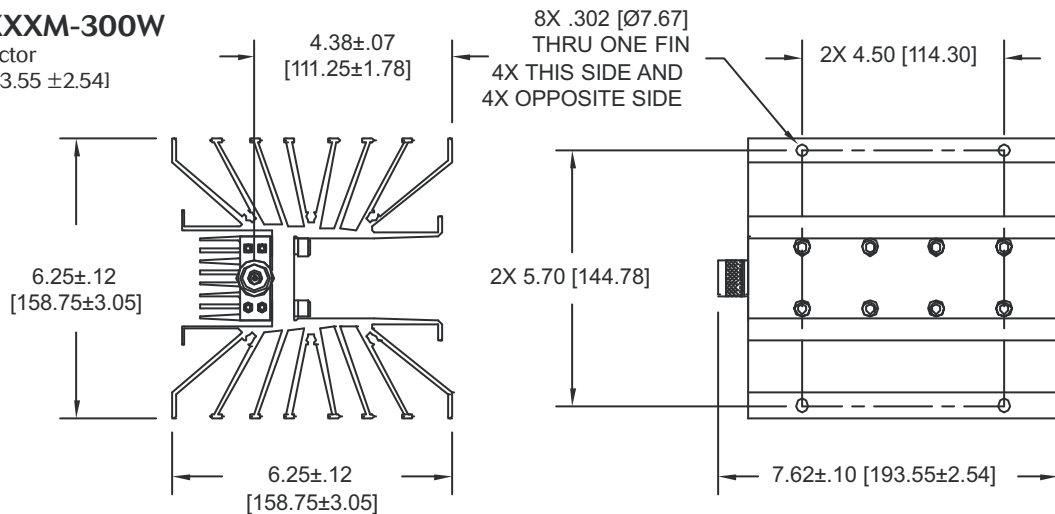
Units must be Positioned in such a way as to Allow for Free Air Flow Around fins to Assure Performance

Model Number: TNXXXF-300W

Type N Female Connector
Length: 770 ±10 [195.58 ±2.54]

Model Number: TNXXXM-300W

Type N Male Connector
Length: 762 ±10 [193.55 ±2.54]
Pictured



HOW TO ORDER:

Model Number: **TNXXXY-300W**

Freq. Range	Connector Configuration
020 = DC - 2.5 GHz	F = Female
040 = DC - 4 GHz	M = Male

Ordering Examples:

Model Number: **TN040M-300W**
DC - 4 GHz, Type N Male CONN.

Model Number: **TN020F-300W**
DC - 2.5 GHz, Type N Female CONN.

Note: Dimensions in Brackets are Expressed in Millimeters and are for Reference Only.
Design, specifications are subject to change without notice. Contact factory for technical specifications before purchasing and/or use.

TNXXX-300W: REV C



Aeroflex / Inmet, Inc. • 300 Dino Drive, Ann Arbor, MI 48103 • U.S.A.
888-244-6638 or 734-426-5553 • FAX: 734-426-5557
www.aeroflex.com/inmet • inmet-sales@eroflex.com