

Attenuators

7/16 DIN, up to 4 GHz, 200 Watts

SPECIFICATIONS:

Models: XD200W-XX, XD200W-XXF, XD200W-XXM

RoHS
Compliant

Electrical:	
Frequency Range _____	DC - 4 GHz
Standard Freq. Values _____	2.5 & 4 GHz
Standard dB Values _____	3, 6, 10, 20, 30 & 40 dB
Attenuation Accuracy _____	DC-1.5 GHz 1.5-2.5GHz 2.5-4GHz
3 & 6 dB _____	±0.50 dB ±0.50 dB ±0.75 dB
10, 20, 30 & 40 dB _____	±0.75 dB ±1.0 dB ±1.5 dB
Input VSWR (Max.)	
3, 6, 10 & 20 dB _____	1.15:1 1.25:1 1.35:1
30 & 40 dB _____	1.15:1 1.25:1 1.50:1
Input Power _____	200 Watts Avg. @ +25°C
	Derated Linearly to 40 Watts @ +125°C
Peak Power _____	2 kW Max.
	(5uSec Pulse, .05% Duty Cycle)
Impedance _____	50 Ohms
Operating Temp. Range _____	-54°C to +125°C
Mechanical:	
7/16 - DIN Connectors _____	Silver or White Bronze Plated Brass
	Mates with DIN 47 223
Conductors _____	Silver or White Bronze Plated Beryllium Copper
Housing _____	Anodized Aluminum



Note: Units are unidirectional. Units must be positioned in such a way as to allow free air flow around fins to assure performance.

Model Number: **XD200W-XX**

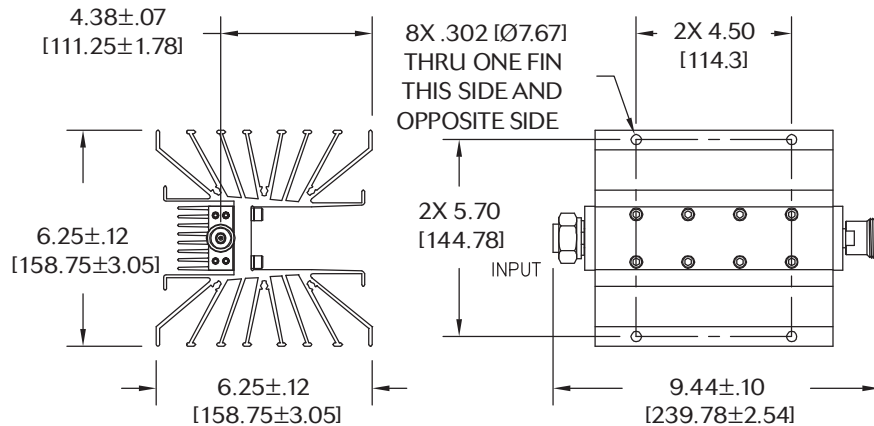
Male/Female Connectors
Length: 9.44 ±.10 [239.78 ±2.54]
Pictured

Model Number: **XD200W-XXF**

Female/Female Connectors
Length: 9.57 ±.10 [243.08 ±2.54]

Model Number: **XD200W-XXM**

Male/Male Connectors
Length: 9.31 ±.10 [236.47 ±2.54]



HOW TO ORDER:

Model Number: **XD200W-XXY**

Freq. Range _____
2 = DC - 2.5 GHz
4 = DC - 4 GHz

Connector Configuration
= Male/Female
F = Fem/Fem
M = Male/Male

dB Value

Ordering Examples:

Model Number: **2D200W-10**
DC - 2.5 GHz, 10 dB; 7/16 - DIN, Male/Fem

Model Number: **2D200W-40F**
DC - 2.5 GHz, 40 dB; 7/16 - DIN, Fem/Fem

Model Number: **4D200W-30M**
DC - 4 GHz, 30 dB; 7/16 - DIN, Male/Male

Note: Dimensions in Brackets are Expressed in Millimeters and are for Reference Only.
Design, specifications are subject to change without notice. Contact factory for technical specifications before purchasing and/or use.

XD200W-ATT: REV L



Aeroflex / Inmet, Inc. • 300 Dino Drive, Ann Arbor, MI 48103 • U.S.A.
888-244-6638 or 734-426-5553 • FAX: 734-426-5557
www.aeroflex.com/inmet • inmet@aeroflex.com