

# TER Series Cable Load Assemblies



## Description:

Aeroflex offers a wide selection of "Cable Load Assemblies," made with a choice of either Beryllium Oxide (BeO) or Aluminum Nitride (AlN) resistive elements. These Cable Load Assemblies feature semi-flexible cables in sizes of 0.080 and 0.141 diameters with SMA style connectors as standard. Other cable sizes and connectors are also available.

## Features:

- CW power Levels range from 50 to 250 watts and can be factory tuned for a VSWR as low as 1.04:1.
- Designed to operate over the temperature range -55°C to +100°C.

## Specifications:

Part Number	Power (W)	Resistance (Ohms)	Frequency (GHz)	Attenuation (dB)	VSWR Max	Size (mm)	CAP (pF)	Substrate Material
TER-0905	100	50±4%	0-2	0	1.10:1	N/A	0	Aluminium Nitride
TER-0908	100	50±4%	0-2	0	1.10:1	N/A	0	Aluminium Nitride
TER-0909	100	50±4%	0-2	0	1.10:1	N/A	0	Aluminium Nitride

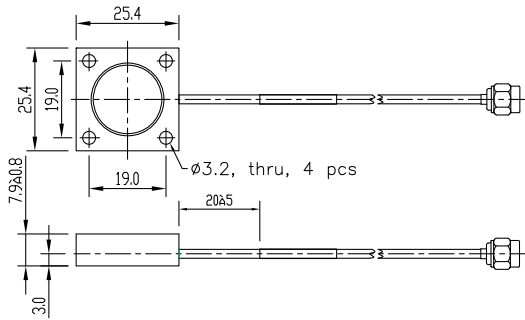
NOTE: 1. Power handling, can be supplied 50 to 250 W per customer request  
2. Sizes and connector type are customer specified.  
3. Storage temperature: -40°C to 125°C.

中国南京江宁技术开发区双龙大道 1706 号 B 厂房 1 层西侧邮编: 211100

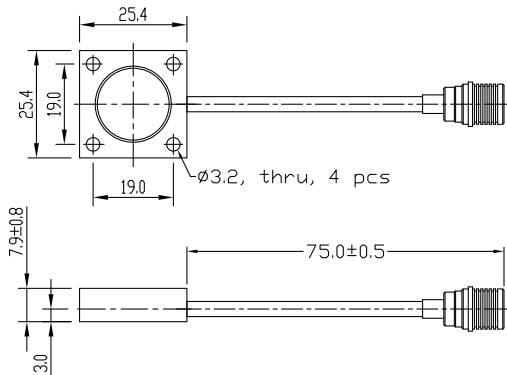
+86 25 52122735 • Fax: +86 25 52122775 • [www.aeroflex.com/microwave](http://www.aeroflex.com/microwave) • [Nanjing.sales@aeroflex.com](mailto:Nanjing.sales@aeroflex.com)

## Outline Drawings:

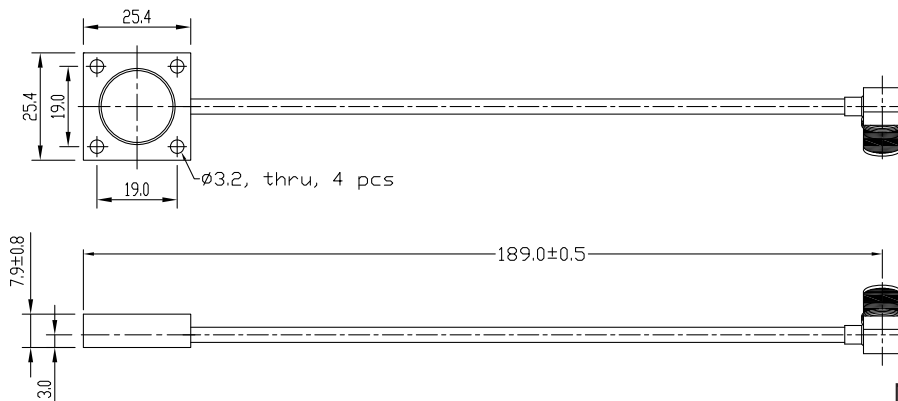
### Cable Load - TER0905 Series Package Drawings



### Cable Load - TER0908 Series Package Drawings



### Cable Load - TER0909 Series Package Drawings



Note: All dimensions are in mm.

#### Aeroflex Nanjing

Aeroflex Microelectronic Solutions

1st Floor, West Side, Factory B  
1706 Shuang Long Da Dao  
Jiangning Economic & Technological Development Zone  
Nanjing 211100 P.R.China

Phone: +86 25 52122735

Fax: +86 25 52122775

[www.aeroflex.com/microwave](http://www.aeroflex.com/microwave)

[Nanjing.sales@eroflex.com](mailto:Nanjing.sales@eroflex.com)

Aeroflex Microelectronic Solutions (Nanjing) Co., Ltd., reserves the right to make changes to any products and services herein at any time without notice. Consult Aeroflex or an authorized sales representative to verify that the information in this data sheet is current before using this product. Aeroflex does not assume any responsibility or liability arising out of the application or use of any product or service described herein, except as expressly agreed to in writing by Aeroflex; nor does the purchase, lease, or use of a product or service from Aeroflex convey a license under any patent rights, copyrights, trademark rights, or any other of the intellectual rights of Aeroflex or of third parties.

Copyright 2006 Aeroflex Microelectronic Solutions (Nanjing) Co., Ltd. All rights reserved.



Our passion for performance is defined by three attributes represented by these three icons: solution-minded, performance-driven and customer-focused.