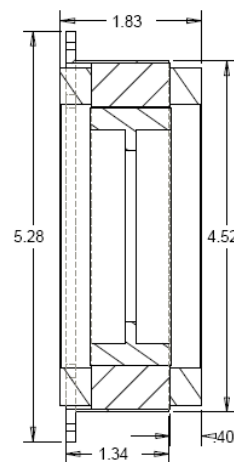
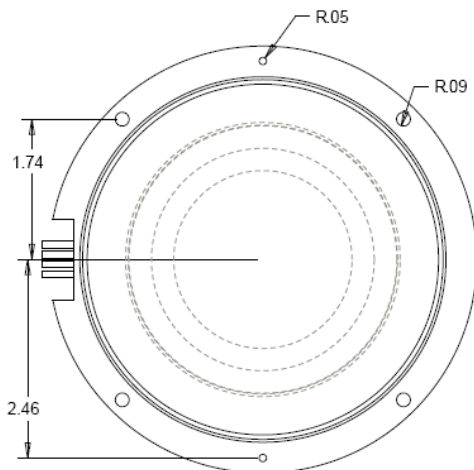


2.0 Degree Stepper Motor PN 16262



Specification	Value	Units	Basis
Step Angle	2.0	degrees	Nominal
Step Rate	17	pps	Maximum
Voltage	70	VDC	Maximum
Power	15	watts	Nominal
Km	39	in-oz \sqrt watts	Nominal
Running Torque	75	in-oz	70 volts @ 6 pps
Holding Torque Kt	700	in-oz/amp	Nominal
Holding Torque	80	in-oz	Minimum
Unpowered Torque	4	in-oz	Minimum
Phase Resistance	320	ohms	Nominal
Phase Inductance	115	mH	Nominal
Number of Phases/Poles	4/90	phase/poles	By Design
Redundant Windings	Yes	windings	By Design
Weight	2.5	pounds	Nominal



For the very latest specifications visit www.aeroflex.com/Motion