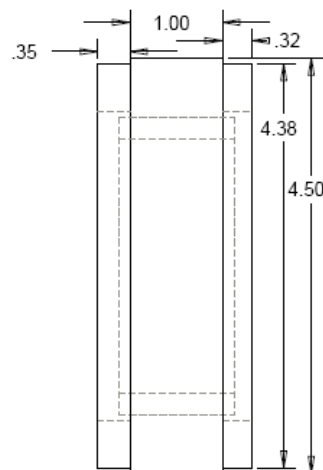
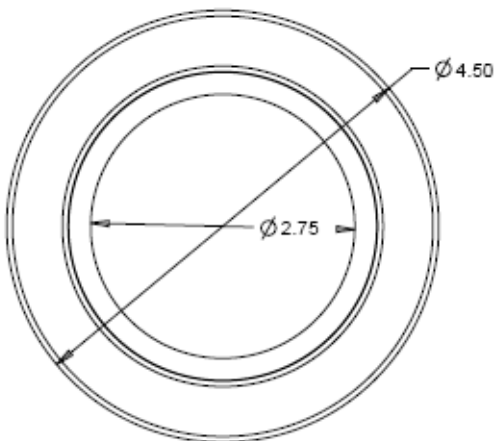


3.75 Degree Stepper Motor PN I6334



Specification	Value	Units	Basis
Step Angle	3.75	degrees	Nominal
Step Rate	50	pps	Maximum
Voltage	30	VDC	Maximum
Power	21	watts	Nominal
Km	31.5	in-oz \sqrt watts	Nominal
Running Torque	75	in-oz	Minimum
Holding Torque Kt	206	in-oz/amp	Nominal
Holding Torque	140	in-oz	Minimum
Unpowered Torque	40	in-oz	Minimum
Phase Resistance	43	ohms	Nominal
Phase Inductance	10.5	mH	Nominal
Number of Phases/Poles	4/96	phase/poles	By Design
Redundant Windings	Yes	windings	By Design
Weight	2.5	pounds	Nominal



For the very latest specifications visit www.aeroflex.com/Motion