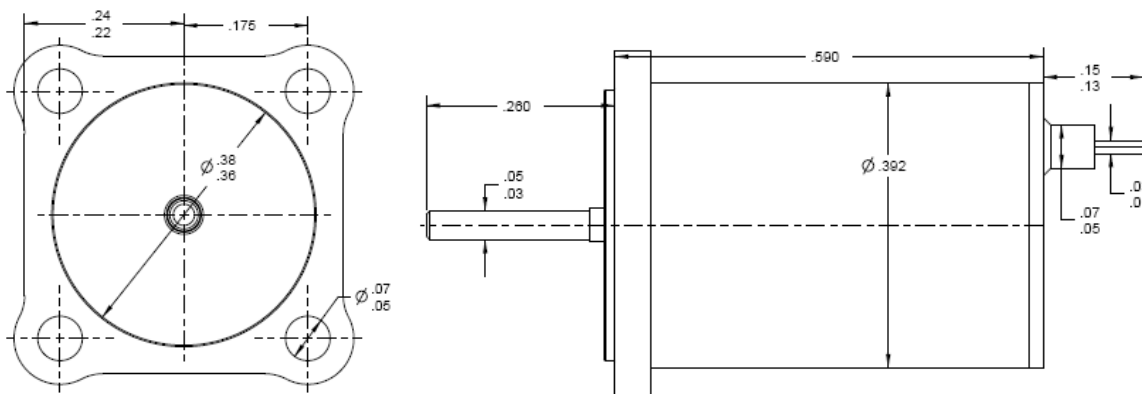


30 Degree Stepper Motor PN 16305



Specification	Value	Units	Basis
Step Angle	30	degrees	Nominal
Step Rate	100	pps	Maximum
Voltage	2.5	VDC	Maximum
Power	0.5	watts	Nominal
Km	1.6	in-oz \sqrt watts	Nominal
Running Torque	0.6	in-oz	2.5 VDC @ 100 pps
Holding Torque Kt	4.8	in-oz/amp	Nominal
Holding Torque	0.7	in-oz	Nominal
Unpowered Torque	0.02	in-oz	Nominal
Phase Resistance	9	ohms	Nominal
Phase Inductance	0.185	mH	Nominal
Number of Phases/Poles	3/4	phase/poles	By Design
Redundant Windings	No	windings	By Design
Weight	0.02	pounds	Nominal



For the very latest specifications visit www.aeroflex.com/Motion