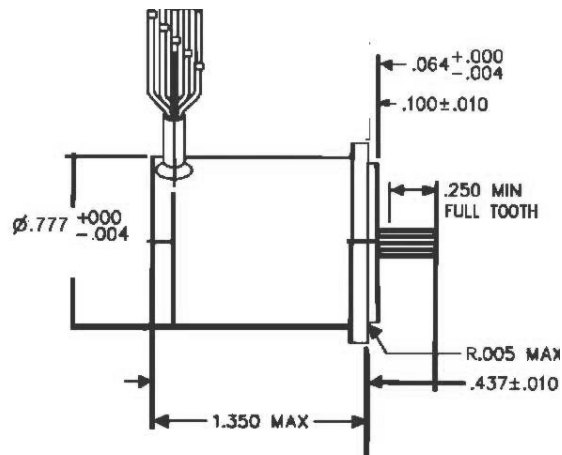
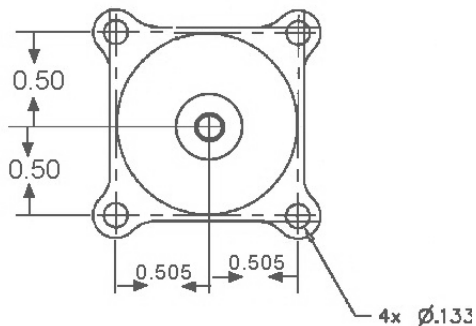


Size II Unipolar 90 Degree Stepper Motor



Specification	-101	-102	-201	-202	Units	Basis
Step Angle	90	90	90	90	degrees	Nominal
Step Rate	150	150	150	150	pps	Maximum
Voltage	24	12	17	8.5	VDC	Nominal
Power	8.5	8.5	8.5	8.5	watts	Nominal
Km	0.76	0.76	0.54	0.54	in-oz√watts	Nominal
Running Torque	1.2	1.2	0.85	0.85	in-oz	Minimum
Holding Torque Kt	6.25	3.1	3.1	1.6	in-oz/amp	Nominal
Holding Torque	2.2	2.2	1.6	1.6	in-oz	Minimum
Unpowered Torque	0.55	0.55	0.55	0.55	in-oz	Minimum
Phase Resistance	68	18	34	8.5	ohms	Nominal
Phase Inductance	15.4	5.6	7.7	3.8	mH	Nominal
Number of Phases/Poles	4/2	4/2	4/2	4/2	phase/poles	By Design
Redundant Windings	No	No	Yes	Yes	windings	By Design
Weight	0.35	0.35	0.35	0.35	pounds	Nominal



For the very latest specifications visit www.aeroflex.com/Motion