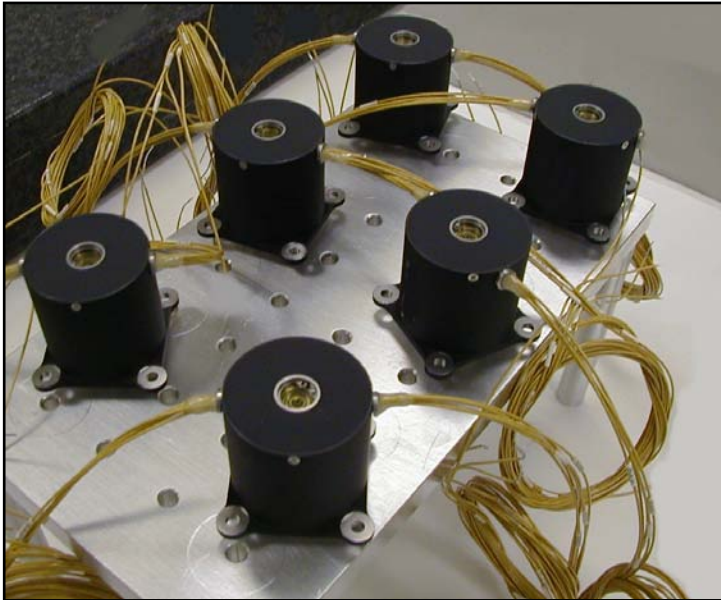
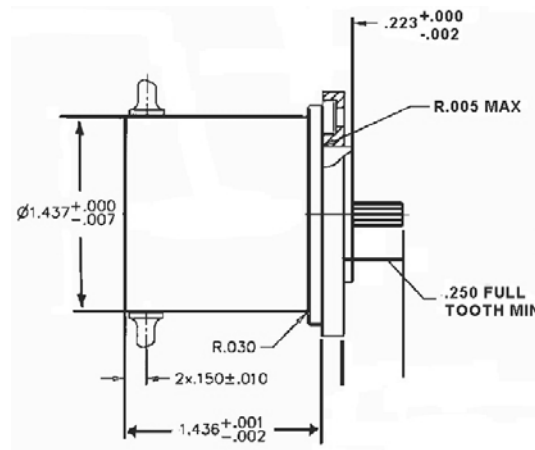
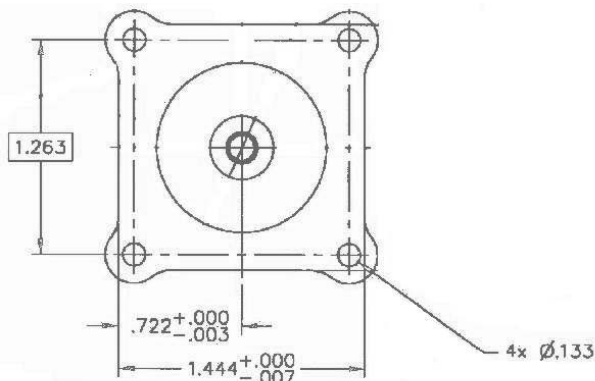


Size 15 Bipolar Stepper Motor



Specification	-201	-202	Units	Basis
Step Angle	90	90	degrees	Nominal
Step Rate	150	150	pps	Maximum
Voltage	32	17	VDC	Nominal
Power	8.5	8.5	watts	Nominal
Km	1.07	1.07	in-oz√watts	Nominal
Running Torque	1.2	1.2	in-oz	Minimum
Holding Torque Kt	12.5	6.25	in-oz/amp	Nominal
Holding Torque	3	3	in-oz	Minimum
Unpowered Torque	0.55	0.55	in-oz	Minimum
Phase Resistance	135	34	ohms	Nominal
Phase Inductance	31	8	mH	Nominal
Number of Phases/Poles	2/2	2/2	phase/poles	By Design
Redundant Windings	Yes	Yes	windings	By Design
Weight	0.5	0.5	pounds	Nominal



For the very latest specifications visit www.aeroflex.com/Motion